

302LFW ALL SS BACK MOUNT

Our '300' series gauge line is a high quality line of stainless steel gauges. Hermetically sealing the gauge prevents dust, dirt or other contaminants from entering the case of the gauge and attacking the movement or internals of the gauge. Keeping out such contaminants prolongs the life of the gauge.

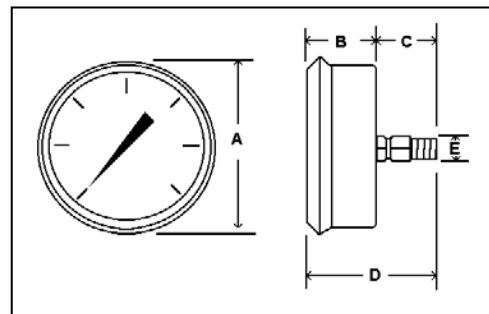
This gauge has been specifically designed with original equipment manufacturers in mind. It is typically used in chemical processing or food processing applications as well as any commercial or industrial application where stainless steel components are required.

SPECIFICATIONS:

- Available Dial Sizes: 1 ½", 2", 2 ½", 3 ½", 4"
- Available Connection Sizes:
 1/8"MNPT on 1 ½" and 2"
 1/4"MNPT on 2", 2 ½", 3 ½" and 4"
- Stainless Steel Case And Bezel
- SS Internals & Connection
- Connection Welded at Case
- 316SS Bourdon Tube
- Liquid Filled (Dry Available)
- Accuracy : 1.5 % Full Scale
 (Special Accuracy Available Upon Request)
- Dual Scale: PSI & Bar (x100=kPa)
 Single Scale available from stock
- Ambient temperature: FILLED: 30°F to 160°F
 DRY: -30°F to 180°F



RANGE	CODE	Major In	Minor In
30/0"VAC	A	5	0.5
30/0/15	CB	5	0.5
30/0/30	CC	10	1
30/0/60	CD	10	1
30/0/100	CE	20	2
30/0/150	CF	20	2
30/0/300	CH	50	10
0/15	B	2	0.2
0/30	C	5	0.5
0/60	D	10	1
0/100	E	20	2
0/160	F	20	2
0/200	G	40	5
0/300	H	50	5
0/400	I	50	5
0/600	K	100	10
0/1000	M	200	20
0/1500	N	200	20
0/2000	O	400	50
0/3000	P	500	50
0/5000	R	1000	100
0/10,000	U	1000	100
0/15,000	V	2000	200



		A	B	C	D	E	F	G
1 ½" Dial	In	1.88	1.06	.89	1.95	1/8" NPT	2.63	1.63
	MM	48	27	23	50		67	42
2" Dial	In	2.23	1.09	.71	1.99	1/8" OR 1/4"NPT	2.81	2.00
	MM	57	28	23	51		72	51
2 ½" Dial	In	2.80	1.28	1.19	2.46	1/4" NPT	3.48	2.50
	MM	71	33	30	63		88	64
3 ½" Dial	In	3.83	1.14	1.08	2.20	1/4" NPT	3.70	3.5
	MM	97	29	27	56		94	89
4" Dial	In	4.32	1.63	1.14	2.77	1/4" NPT	5.20	3.87
	MM	110	42	29	71		132	98

Note:

All Dial Size Gauges are Center Back Connection Except 3 ½" Dial Size which are Lower Back Connection