

Our '501D-UNO' (Use No Oil) gauges have been designed and manufactured for oil free service indicating cylinder pressure of compressed non-corrosive gases or any medium which oxidizes with oil based materials, in applications such as welding, cutting and related processes.

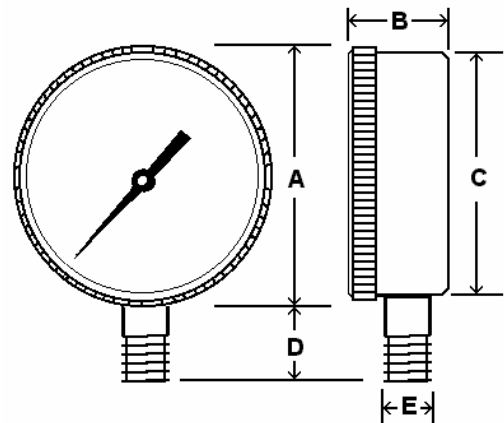
SPECIFICATIONS:

- **Available Dial Sizes:** 2 or 2 ½"
- **Connection Sizes:** 1/4" MNPT
- **Highly Polished Brass Case**
- **Copper Alloy Movement & Connection**
- **Copper Alloy Bourdon Tube**
(Low Copper Content for use with acetylene)
- **Twist-on Plastic Lens**
- **Dry Gauge, for "Oil Free Service"**
- **Pressure Relief Disc On Back Of Case**
- **Accuracy :** 2.5 % of Span (Grade B ANSI B40.1)
- **Single Scale, PSI only**
- **Ambient temperature:** -4°F to 140°F



RANGE	CODE	Major In	Minor In
0/30	C	5	0.5
0/60	D	10	1
0/100	E	20	2
0/200	G	40	4
0/400	I	50	5
0/4000	Q	500	50

Other Ranges, Dials Sizes and Connection Locations available, please call with your particular application



		A	B	C	D	E
2" Dial	In	2.31	1.2	2.07	1.13	1/4"
	MM	59	31	53	29	Npt
2 ½" Dial	In	2.83	1.13	2.65	1.13	1/4"
	MM	72.0	29	68	29	Npt