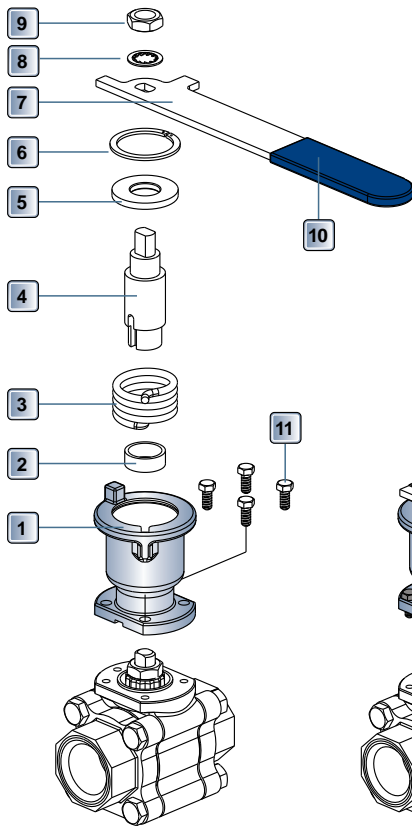


Spring Return Handle



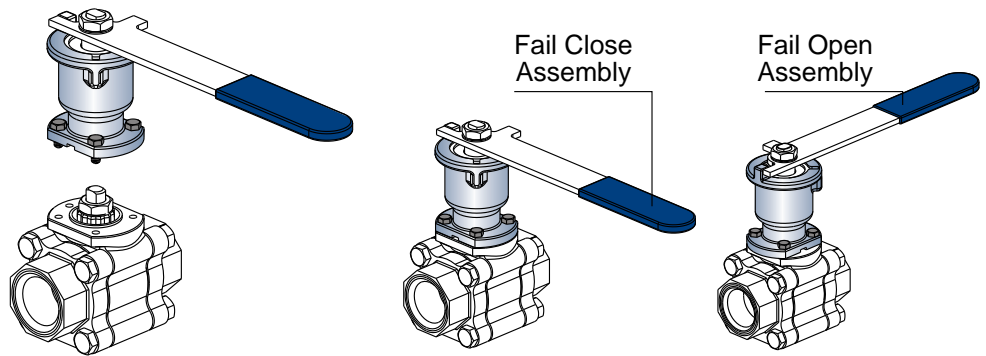
Size Range:	1/2" - 1 1/4" (DN6 - DN32)
Industries:	General Service, Chemical, Petrochemical, Oil and Gas, Refinery, Energy, Pharmaceutical, Food & Beverage, Cosmetics, Semiconductor
Applications:	Water, Gas, Steam, Chemicals, Solvents
Pressure Range:	Sampling, By-pass, Steam Letdown, Draining, Pressure relief
Functions:	Spring Energised Handle
Materials:	Stainless Steel
Connection:	Bolted to all Habonim ISO 5211 top mount valves
Safety Features:	Single Body Spring Loaded Unit can be assembled In-Line
Other Features:	Fail-close, Fail-open, Locking Device, Leak Detection & Drain Holes



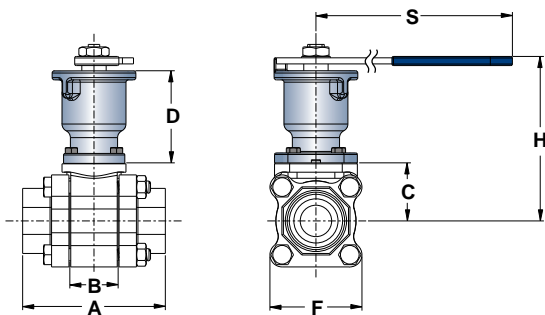
ITEM	DESCRIPTION	MATERIAL	QTY.
1	BODY HOUSING	STAINLESS ST. ASTM A351 CF8M	1
2	BOTTOM BEARING	PTFE	1
3	SPRING	SPRING STEEL ASTM A228, ASTM A401M	1
4	STEM	STAINLESS ST. 316 ASTM A276	1
5	TOP BEARING	BRASS	1
6	LOCKING CLIP	STAINLESS ST. A2 DIN 472	1
7	HANDLE	STAINLESS ST. 304 ASTM A240	1
8	SERRATED WASHER	STAINLESS ST. 410	1
9	HANDLE NUT	STAINLESS ST. 316 ASTM A194	1
10	HANDLE SLEEVE	VINYL PLASTISOL	1
11	HOUSING SCREWS	STAINLESS ST. A2-70 ISO 4014	4

In-Line Assembly

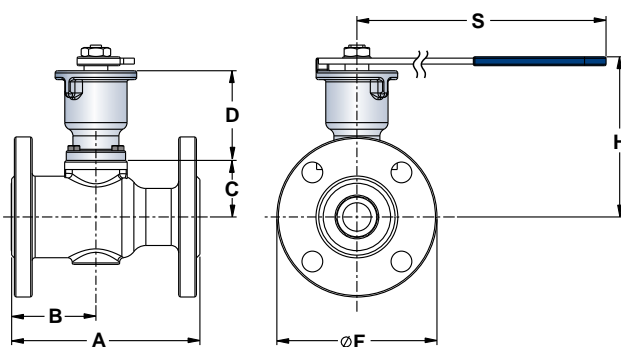
The SRH can be fitted on valves in line without shutting down the system or removing the valve from the line.



DIMENSIONS



Valve Size	47P Series Valve dimensions							
	A	B	C	D	F	H	S	ISO
1/2"	66.0	20.6	29.0	48.0	46.0	97.0	148.0	F03
3/4"	71.0	24.6	31.4	48.0	52.0	99.5	148.0	F03
1"	93.0	31.8	38.2	60.5	62.0	102.0	197.0	F04
1 1/4"	108.0	41.3	42.7	60.5	69.0	111.5	197.0	F04
mm	2.598	0.811	1.142	1.890	1.811	3.819	5.827	
	2.795	0.969	1.236	1.890	2.047	3.917	5.827	
	3.661	1.252	1.504	2.382	2.441	4.016	7.756	
	4.252	1.626	1.681	2.382	2.717	4.390	7.756	



Valve Size	31P/32P series Valve dimensions									
	A		B	C	D	ØF		H	S	ISO
	150#	300#				150#	300#			
1/2"	108.0	140.0	46.0	29.0	48.0	89.0	95.0	97.0	148.0	F03
3/4"	117.0	152.0	49.3	31.4	48.0	98.0	117.0	99.5	148.0	F03
1"	127.0	165.0	57.2	38.2	60.5	108.0	124.0	102.0	197.0	F04
mm	4.252	5.512	1.811	1.142	1.890	3.504	3.740	3.819	5.827	
	4.606	5.984	1.941	1.236	1.890	3.858	4.606	3.917	5.827	
	5.000	6.496	2.252	1.504	2.382	4.252	4.882	4.016	7.756	

Valve Size	73P/74P Series Valve dimensions									
	A	B	C	D	ØF	H	S	ISO		
	1/2"	108.0	140.0	48.0	31.4	48.0	89.0	95.0	99.5	148.0
3/4"	117.0	152.0	58.0	38.2	48.0	98.0	117.0	108.0	148.0	F04
1"	127.0	165.0	63.5	42.7	60.5	108.0	124.0	113.0	197.0	F04
mm	4.252	5.512	1.890	1.236	1.890	3.504	3.740	3.917	5.827	
	4.606	5.984	2.283	1.504	1.890	3.858	4.606	4.252	5.827	
	5.000	6.496	2.500	1.681	2.382	4.252	4.882	4.449	7.756	

Torque Note: For sizing the SRH unit to Habonim valves, please consult with Habonim

Ordering Information: The SRH units are available in 3 configurations: 47-05-SRH (5 Nm), 47-10-SRH (12 Nm) and 47-10-SRH-F03 (12 Nm).

In accordance with our policy to strive for continuous improvement of the product, we reserve the right to alter the dimensions, technical data and information included in this catalogue when required.