

PRESSURE GAUGES

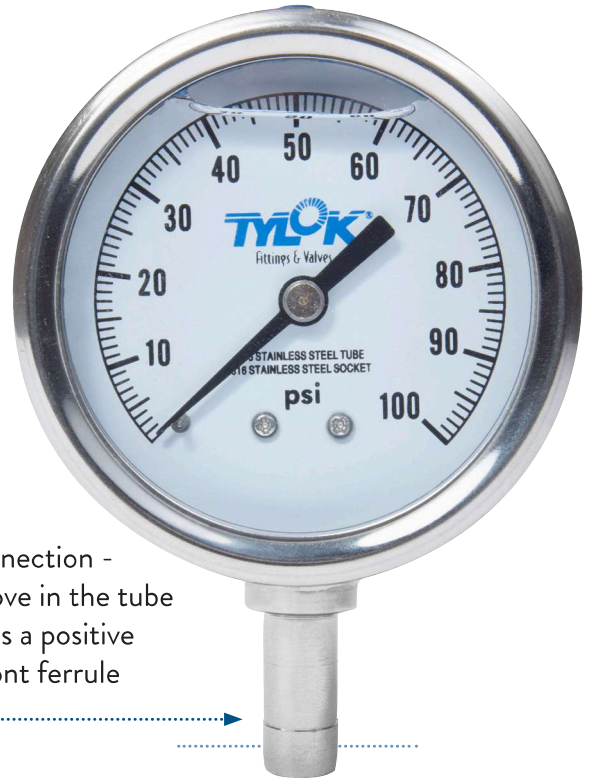
Tylok is proud to announce it's new gauge line.





SS-PG25-A4-100

Leak Free Connection -
Machined groove in the tube
adapter ensures a positive
seat for the front ferrule



- 2 1/2" stainless pressure gauges
- Many pressure ranges available
- Standard glycerin liquid filled case
dry/liquid fillable cases are also available

FEATURES AND BENEFITS

Gauge Orientation made easy
with tube stub connection

NPT threads and PTFE tape eliminated from system

Reduces potential for improper installation as
most installers screw the gauge on by hand

All welded design through to the bourdon tube eliminates
potential leakage due to mechanical connections.

All gauges are 100% tested

Specials available upon request

LIQUID FILLED USED FOR

Dampening vibration

Dampening pressure pulsations

Permanent lubrication

TECHNICAL SPECIFICATIONS

Accuracy: $\pm 1.6\%$ Full Scale

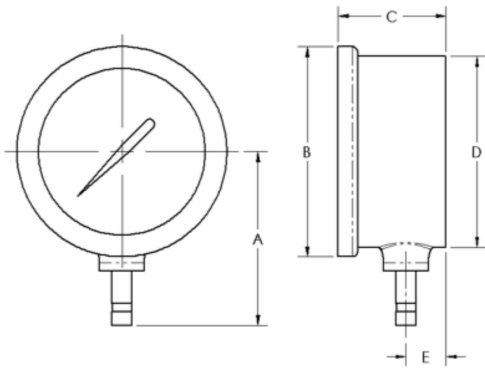
Maximum Temperature Rating:
Liquid filled gauges 150 °F (65 °C)

Dry gauges 250 °F (121 °C)



MATERIALS OF CONSTRUCTION

Case	304 Stainless Steel
Ring	304 Stainless Steel
Window	Acrylic
Dial Face	Aluminum
Pointer	Aluminum
Fill Fluid	Glycerin
Movement	316 Stainless Steel
Bourdon Tube	316 Stainless Steel
End Connection	316 Stainless Steel



GAGE SERIES	CONNECTION SIZE	A	B	C	D	E
PG25-A4	1/4"	2.22	2.68	1.38	2.44	0.51
PG25-A6	3/8"	2.35	2.68	1.38	2.44	0.51
PG25-A8	1/2"	2.68	2.68	1.38	2.44	0.51

PART NUMBER PG25-A4 (1/4") SERIES

SS-PG25-A4-30VAC
 SS-PG25-A4-15
 SS-PG25-A4-30
 SS-PG25-A4-60
 SS-PG25-A4-100
 SS-PG25-A4-160
 SS-PG25-A4-200
 SS-PG25-A4-300
 SS-PG25-A4-600
 SS-PG25-A4-1000
 SS-PG25-A4-3000

PART NUMBER PG25-A6 (3/8") SERIES

SS-PG25-A6-30VAC
 SS-PG25-A6-15
 SS-PG25-A6-30
 SS-PG25-A6-60
 SS-PG25-A6-100
 SS-PG25-A6-160
 SS-PG25-A6-200
 SS-PG25-A6-300
 SS-PG25-A6-600
 SS-PG25-A6-1000
 SS-PG25-A6-3000

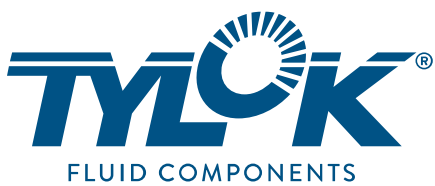
PART NUMBER PG25-A8 (1/2") SERIES

SS-PG25-A8-30VAC
 SS-PG25-A8-15
 SS-PG25-A8-30
 SS-PG25-A8-60
 SS-PG25-A8-100
 SS-PG25-A8-160
 SS-PG25-A8-200
 SS-PG25-A8-300
 SS-PG25-A8-600
 SS-PG25-A8-1000
 SS-PG25-A8-3000

RANGE

30" Hg to 0
 0 to 15 psi
 0 to 30 psi
 0 to 60 psi
 0 to 100 psi
 0 to 160 psi
 0 to 200 psi
 0 to 300 psi
 0 to 600 psi
 0 to 1000 psi
 0 to 3000 psi

Note: It is important that the maximum continuous operating pressure of the application not exceed 75% of the selected measurement range. A range should be selected that is approximately twice the normal working pressure.



1061 EAST 260TH STREET EUCLID, OH 44132

P : 216.261.7310 T : 1.800.321.046 F : 216.261.7317 INFO@TYLOK.COM **TYLOK.COM**

LIT-0002 REV A

